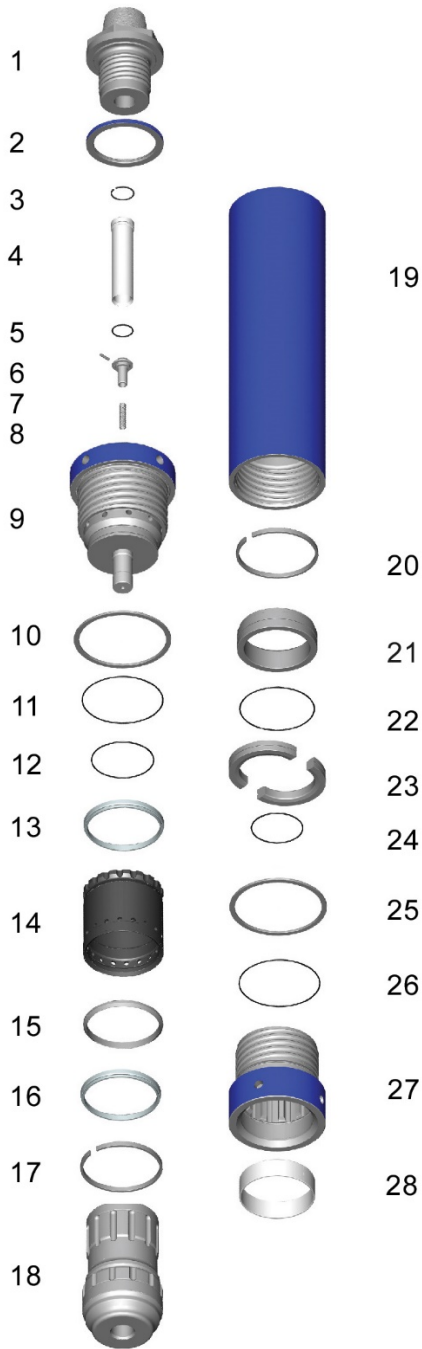


MP180



Parts and Specifications

Mincon MP180-QL200 DTH Hammer



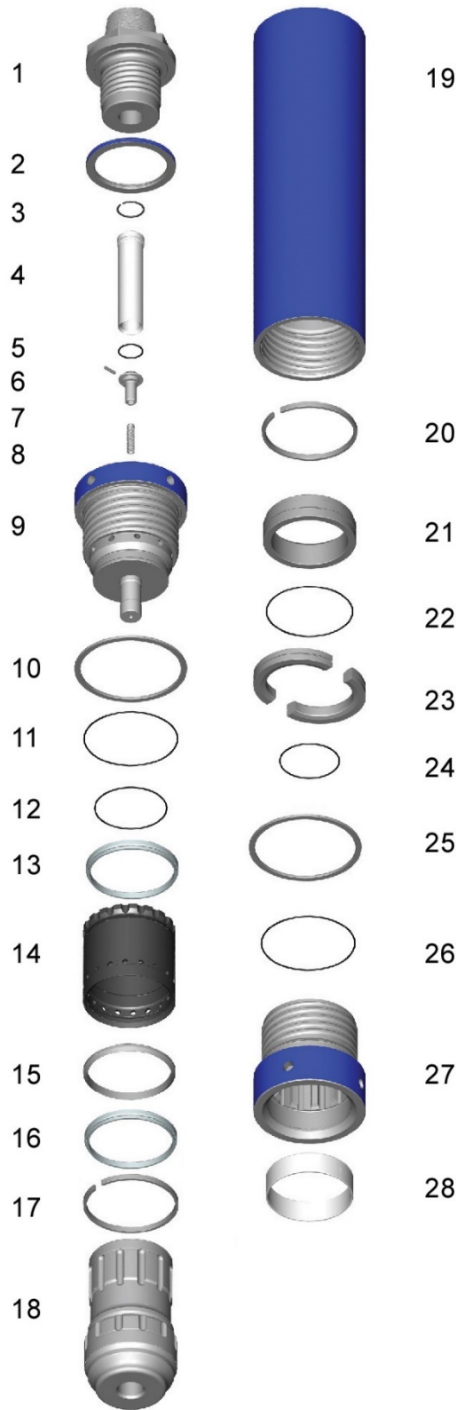
Item #	Part Number	Description
	MD1801AS02	Mincon MP180-QL200 (8 5/8" A.P.I. Reg. Pin)
1	MD1819BI01	MP180 5/8 API Insert
2	MD1817BO06	Backhead Insert Breakout Ring
3	MD1830CP01	Circlip
4	MD1816TB02	Backhead Tube (8 5/8" API Insert)
5	MD1823OR01	O Ring
6	MD1806CH01	Choke Blank
7	MD1802CV01	Check Valve
8	MD1803SP01	Spring
9	MD1841BD01	Backhead / Distributor Assembly
10	MD1817BO02	Backhead Break Out Ring
11	MD1820OR01	O Ring
12	MD1821OR01	O Ring
13	MD1840CR01	Compression Ring
14	MD1808IC01	Inner Cylinder
15	MD1805LR01	Lock Ring
16	MD1804SM01	Make-up Ring
17	MD1812PR01	Retaining Ring
18	MD1810PN02	Piston (QL200)
19	MD1811WS01	Wear Sleeve
20	MD1812PR01	Retaining Ring
21	MD1813BB02	Aligner (QL200)
22	MD1822OR01	O Ring
23	MD1814BR02	Bit Retaining Ring (QL200)
24	MD1220OR01	O Ring
25	MD1817BO04	Chuck Break Out Ring
26	MD1820OR01	O-Ring
27	MD1815CK02	Chuck (QL200)
28	MD1817CB02	Chuck Bushing (QL200)
	MD1226SK01	Service Kit
3	MD1830CP01	Circlip
6	MD1806CH01	Choke Blank
8	MD1803SP01	Spring
-	MD1825OK01	O Ring Kit
	MD1825OK01	O Ring Kit
5	MD1823OR01	O Ring
11	MD1820OR01	O-Ring
12	MD1821OR01	O Ring
22	MD1822OR01	O Ring
24	MD1220OR01	O Ring
26	MD1820OR01	O Ring
	MD1841BD01	Backhead / Distributor Assembly
	MD1801BH02	Backhead for Adaptor Insert
	MD1807DR01	Distributor Probe

Specifications

Metric

Hammer Outside Diameter	400mm (15.74")
Hammer Length (Less Bit, Backhead Insert Shoulder to Chuck)	1,673mm (65.9")
Drill Bit Shank Type	QL200
Minimum Bit Size	457mm (18")
Hammer Weight (Less Bit)	1,215kg (2,679 lbs)
Drill Bit Weight (508mm/20")	490kg (1,080 lbs)
Piston Weight	284kg (626 lbs)
Backhead Stand Off	1.2mm (0.047")
Make up Torque	18,300-24,400Nm (13,500-18,000 lbf.ft)
Wear Sleeve Reverse Limit	Non Reversible
Wear Sleeve Discard Limit	381mm (15")
Recommended Minimum Air Package	1,038 L/s @ 13.8 bar (2,200 cfm @ 200 psi)

Mincon MP180-N180 DTH Hammer



Item #	Part Number	Description
MD1801AS01 Mincon MP180-N180 (8 5/8" A.P.I. Reg. Pin)		
1	MD1819BI01	MP180 8 5/8 API Insert
2	MD1817BO06	Backhead Insert Break out ring
3	MD1830CP01	BH Tube Circlip
4	MD1816TB02	Backhead Tube (8 5/8" API Insert)
5	MD1823OR01	O-Ring
6	MD1806CH01	Choke Blank
7	MD1802CV01	Check Valve
8	MD1803SP01	Check Valve Spring
9	MD1841BD01	Backhead / Distributor Assembly
10	MD1817BO02	Backhead Breakout Ring
11	MD1820OR01	O-Ring
12	MD1821OR01	O-Ring
13	MD1840CR01	Compression Ring
14	MD1808IC01	Inner Cylinder
15	MD1805LR01	Lock Ring
16	MD1804SM01	Make-up Ring
17	MD1812PR01	IC Retaining Ring
18	MD1810PN01	Piston (N180)
19	MD1811WS01	Wear Sleeve
20	MD1812PR01	Piston Retaining Ring
21	MD1813BB01	Aligner (N180)
22	MD1822OR01	O-Ring
23	MD1814BR01	Bit Retaining Ring (N180)
24	MD1220OR01	O-Ring
25	MD1817BO04	Chuck Breakout Ring
26	MD1820OR01	O-Ring
27	MD1815CK01	Chuck (N180)
28	MD1818CB01	Chuck Bush (N180)
MD1826SK01 Service Kit		
3	MD1830CP01	BH Tube Circlip
6	MD1806CH01	Choke Blank
8	MD1803SP01	Spring
	MD1825OK01	O Ring Kit
MD1825OK01 O Ring Kit		
5	MD1823OR01	O Ring
11	MD1820OR01	O Ring
12	MD1821OR01	O Ring
22	MD1822OR01	O Ring
24	MD1220OR01	O Ring
26	MD1820OR01	O Ring
MD1841BD01 Backhead/Distributor Assembly		
	MD1801BH02	Backhead For Adapter Insert
	MD1807DR01	Distributor Probe

Specifications

Hammer Outside Diameter	400mm (15.75")
Hammer Length (Less Bit, Backhead Insert Shoulder to Chuck)	1,708mm (67.2")
Drill Bit Shank Type	N180
Minimum Bit Size	457mm (18")
Hammer Weight (Less Bit)	1,194kg (2,632 lbs)
Drill Bit Weight (508mm/20")	490kg (1,080 lbs)
Piston Weight	282kg (622 lbs)
Backhead Stand-Off	1.2mm (0.047")
Make up Torque	18,300-24,400Nm (13,500-18,000 lbf.ft)
Wear Sleeve Reverse Limit	Non-reversible
Wear Sleeve Discard Limit	381mm (15")
Recommended Minimum Air Package	1,038 l/s @ 13.8 Bar (2,200 cfm @ 200 psi)