

MQ80

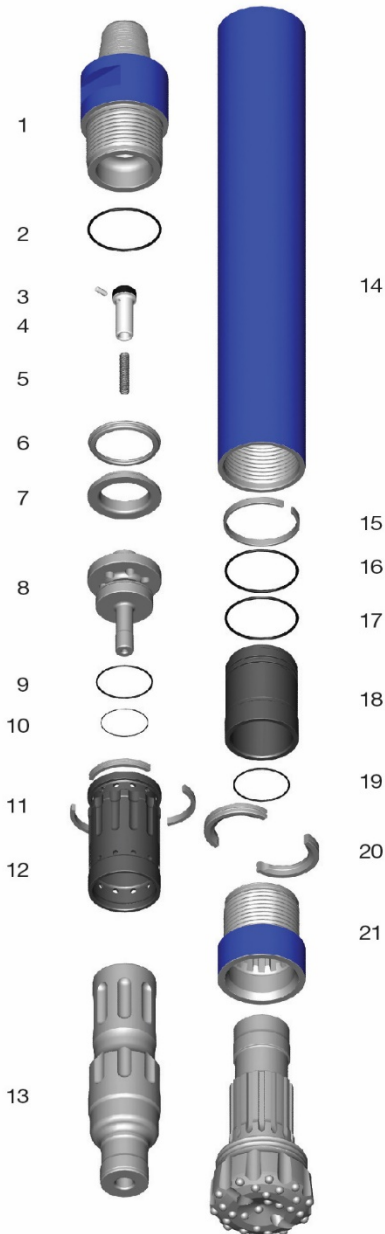


Parts and Specifications

Copyright © Mincon 2020, All Rights Reserved.



Mincon MQ80 Parts and Specifications



Item #	Part Number	Description
	MD801AS15	Mincon MQ80 (4 1/2" A.P.I. Reg. Pin)
1	MD801BH01	Backhead (4 1/2" A.P.I. Reg. Pin)
2	MD822OR01	O Ring
3	MB506CH01	Choke Blank
4	MD802CV01	Check Valve
5	MB503SP01	Spring
6	MD804SM01	Steel Make-Up Ring
7	MD805LR01	Lock Ring
8	MD807DR01	Air Distributor
9	MD821OR01	O Ring
10	MD820OR01	O Ring
11	MD809SR01	Seating Ring
12	MD808IC01	Inner Cylinder
13	MD810PN04	Piston
14	MD811WS10	Wear Sleeve
15	MD812PR01	Piston Retaining Ring
16	MD822OR01	O Ring
17	MD822OR01	O Ring
18	MD813BB10	Aligner
19	MD814BR06	Bit Retaining Ring
20	MD821OR01	O Ring
21	MD815CK02	Chuck (QL80)
22	MD826SK05	Service Kit
	MD826SK05	Service Kit
3	MB506CH01	Choke Blank
-	MB506CH02	Choke 1/8" (3.2mm)
-	MB506CH03	Choke 3/16" (4.8mm)
5	MB503SP01	Spring
-	MD825OK05	O Ring Kit
	MD825OK05	O Ring Kit
2	MD822OR01	O Ring
9	MD821OR01	O Ring
10	MD820OR01	O Ring
16	MD822OR01	O Ring
17	MD821OR01	O Ring

Specifications

Hammer Outside Diameter	181mm (7.15")
Hammer Length (Less Bit, Backhead Shoulder to Chuck)	1,306mm (51.4")
Backhead Spanner Flat Size	140mm (5.5")
Drill Bit Shank Type	QL80
Minimum Bit Size	203mm (8")
Hammer Weight (Less Bit)	184.2kg (405 lbs)
Drill Bit Weight (216mm/8 1/2")	53.1kg (117 lbs)
Piston Weight	46.3kg (102 lbs)
Backhead Stand Off	0.75mm (0.03")
Make up Torque	8,135-10,850Nm (6,000-8,000 lbf.ft)
Wear Sleeve Reverse Limit	Non-Reversible
Wear Sleeve Discard Limit	169mm (6.7")
Recommended Minimum Air Package	425 L/s @ 24.1 bar (900 cfm @ 350 psi)